



# PNEUMATIC NIBBLER

## OPERATOR'S MANUAL

Part No. 147000



OM147000

## SPECIFICATIONS

Capacity Steel	18ga
Cutting Speed	8.5' per min.
Air Inlet	1/4" NPT
Hose Size	3/8" I.D. (10mm)
Air Pressure	90 P.S.I. (6.2 bar)
Average Air Consumption	4 CFM (113 L/min)



## IMPORTANT SAFETY INSTRUCTIONS



**WARNING:** Read all safety warnings, instructions, illustrations and specifications provided with this power tool. *Failure to follow all instructions listed below may result in electric shock, fire and/or serious injury.*

### **Personal Safety**

- Stay alert, watch what you are doing and use common sense when using a power tool. Do not use while tired or under the influence of drugs, alcohol or medication.
- Maintain a balanced body position and secure footing.
- Repetitive work motions, awkward positions, and exposure to vibration can be harmful to hands and arms. If numbness, tingling, pain, or whitening of the skin occurs, stop using the tool and consult a physician.
- Dress Properly. Do not wear loose clothing or jewelry. Keep long hair, loose clothing and gloves from moving parts.
- Avoid accidental starting. Disconnect any air supply before performing any maintenance or tool changes.
- Always use personal safety equipment. Wear Safety glasses to protect eyes from fling debris. Proper hearing protection must be used for appropriate conditions.

### **Work Area**

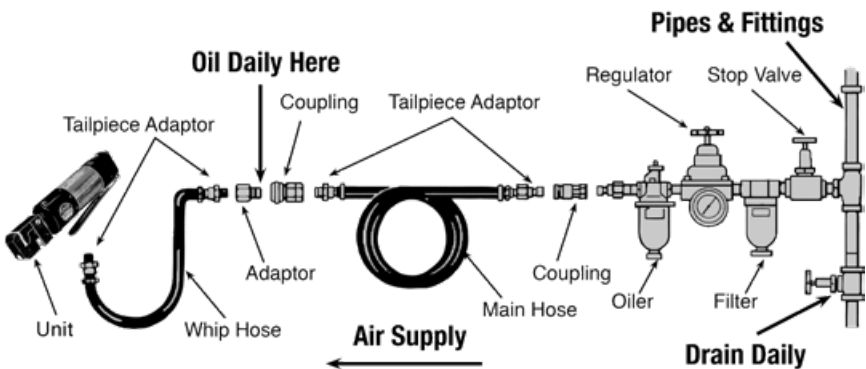
- Keep your work area clean and well lit. Remove any adhesives, oil, or foreign material from the work surface before removing spot welds.
- Do not operate tools in an explosive atmosphere. Sparks may ignite fumes or dust.
- Keep bystanders away while operating power tools.
- Slips/trips/falls are a major cause of serious injury or death. Be aware of excess hose left on the work floor.

## **Tool Use and Care**

- Use support handle or other method to secure and support the work piece to a stable platform.
- Do not force the tool. Use the correct tool for your application. Using the correct tool which is specifically designed for a select job will provide better tool performance and make the job easier.
- Disconnect the air supply before making any adjustments, changing accessories, or storing the tool. Always disconnect the air supply before performing any inspection, maintenance or tool cleaning.
- Use only accessories recommended by the manufacturer for your model.
- When using a tool that is designed to have a guard, the guard should be in place to offer protection from flying debris, grinding residue or sparks.
- Do not leave the tool unattended when it is connected to an air supply.
- Use compressed air only.

## **OPERATING INSTRUCTIONS**

### **Air Supply Setup and Connection**



### **Recommended Air Line Components**

- For optimal results you should incorporate a regulator, oiler and an inline filter.
- If you are not using an automatic lubricating system, before operating the tool, add a few drops of Pneumatic Tool Oil to the air-line connection. Add more after each hour of constant using.
- Do not exceed maximum air pressure of 90 PSI/ 6.2 bar or as stated on tool nameplate.

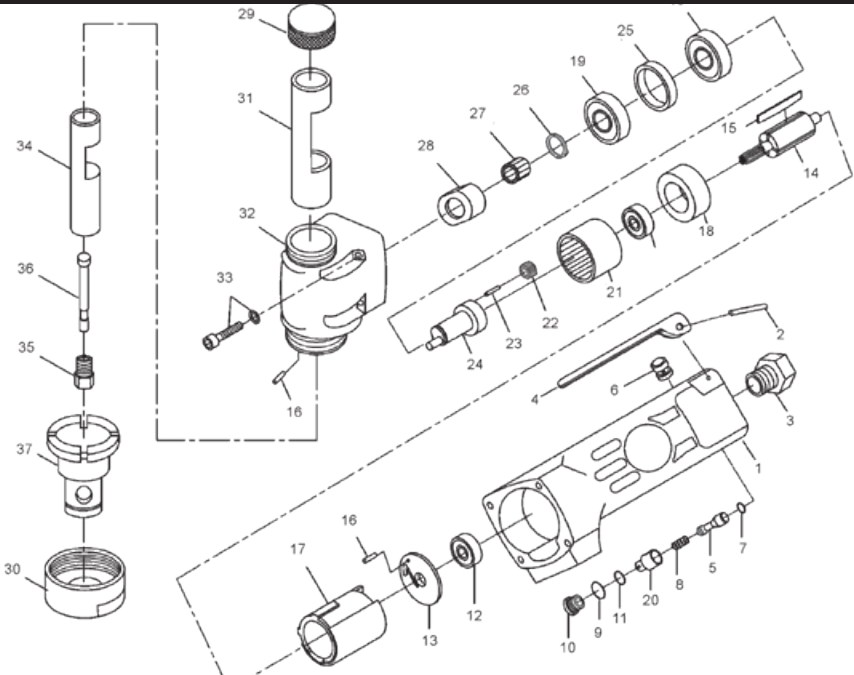
## **OPERATING INSTRUCTIONS**

- Only use accessories recommended by Blair Equipment Company.
- Check the position of the reversing mechanism before operating the tool so as to be aware of the direction of rotation when operating.

### **Lubrication & Maintenance**

- Lubricate the tool daily with a good grade of air tool oil.
- If no air line oiler is used, run a teaspoon of oil through the tool.
- The oil can be squirted into the tool air inlet, or into the hose at the nearest connection to the air supply. Then run the tool.
- A rust inhibitive oil is acceptable for air tools.

# BREAKDOWN



#	Part #	Description
1	20301	Motor Housing
2	30102	Lever Pin (3x24L)
3	30103	Inlet Bushing
4	30104	Throttle Lever
5	51705	Valve Stem
6	51706	Anvil Bushing
7	70107	O-Ring (4.8x1.9)
8	51208	Valve Spring
9	70123	O-Ring (11.8x2.4)
10	51210	Throttle Valve Plug
11	40305	O-Ring (6.5x2)
12	030113	Ball Bearing (2) (626ZZ)
13	20314	Rear End Plate
14	70615	Rotor
15	51216	Rotor Blades (4)
16	70117	Pin (2) (2x5L)
17	70118-22	Cylinder
18	70619	Fronnd End Plate
19	020320	Ball Bearing (2) (6003z)

#	Part #	Description
20	51221	Air Regulator
21	80222	Internal Gear
22	80223	Idler Gear (3)
23	30124	Pin (3) (4x13.8L)
24	20325	Crank Shaft
25	20326	Spacer
26	20328	Retaining Ring (STW-17)
27	20329	Needle Roller (13) (3x9.8L)
28	20330	Cam
29	20331	Head Cap
30	20332	Lock Nut
31	20333	Guide Bushing
32	20334	Head
33	40144	Screw (4)
34	21338	Slide Spindle
35	21339	Screw
36	21340	Punch
37	21341	Die

# PARTS LIST

#	Part #	Description
1	<b>20301</b>	Motor Housing
2	<b>30102</b>	Lever Pin (3x24L)
3	<b>30103</b>	Inlet Bushing
4	<b>30104</b>	Throttle Lever
5	<b>51705</b>	Valve Stem
6	<b>51706</b>	Anvil Bushing
7	<b>70107</b>	O-Ring (4.8x1.9)
8	<b>51208</b>	Valve Spring
9	<b>70123</b>	O-Ring (11.8x2.4)
10	<b>51210</b>	Throttle Valve Plug
11	<b>40305</b>	O-Ring (6.5x2)
12	<b>030113</b>	Ball Bearing (2) (626ZZ)
13	<b>20314</b>	Rear End Plate
14	<b>70615</b>	Rotor
15	<b>51216</b>	Rotor Blades (4)
16	<b>70117</b>	Pin (2) (2x5L)
17	<b>70118-22</b>	Cylinder
18	<b>70619</b>	Fron End Plate
19	<b>020320</b>	Ball Bearing (2) (6003z)
20	<b>51221</b>	Air Regulator
21	<b>80222</b>	Internal Gear
22	<b>80223</b>	Idler Gear (3)
23	<b>30124</b>	Pin (3) (4x13.8L)
24	<b>20325</b>	Crank Shaft
25	<b>20326</b>	Spacer
26	<b>20328</b>	Retaining Ring (STW-17)
27	<b>20329</b>	Needle Roller (13) (3x9.8L)
28	<b>20330</b>	Cam
29	<b>20331</b>	Head Cap
30	<b>20332</b>	Lock Nut
31	<b>20333</b>	Guide Bushing

#	Part #	Description
32	<b>20334</b>	Head
33	<b>40144</b>	Screw (4)
34	<b>21338</b>	Slide Spindle
35	<b>21339</b>	Screw
36	<b>21340</b>	Punch
37	<b>21341</b>	Die

## **COMMERCIAL / INDUSTRIAL LIMITED WARRANTY**

Blair Equipment Company warrants its Portable Magnetic Drills and Tornado II Paint Shakers for two (2) years and other products for ninety (90) days from date of purchase against defects due to faulty material or workmanship and will repair or replace (at its option) without charge any items returned. This warranty is void if the item has been damaged by accident or unreasonable use, neglect, improper service, or other causes not arising out of defects in material or workmanship. No other expressed warranty is given or authorized. Blair Equipment Company disclaims any implied warranty of Merchantability or fitness for any period beyond the expressed warranty and shall not be liable for incidental or consequential damages. Some states do not allow exclusion of incidental or consequential damages or limitation on how long an implied warranty lasts and, if the law of such a state governs your purchase, the above exclusion and limitation may not apply to you. This warranty gives you specific legal rights and you may also have other rights which vary from state to state.

To obtain warranty service, return the item(s), transportation prepaid to your nearest Factory Authorized Warranty Service Center, or to Blair Equipment Company, 3001 Hougen Drive, Swartz Creek, MI 48473.

This warranty is in lieu of any other warranty, expressed or implied, including any warranty of merchantability or fitness for a particular purpose.

Photographs and Specifications shown are accurate in detail at time of printing. Manufacturer reserves the right to make improvements and modifications without prior notice. Blair and Rotabroach are proprietary trademarks of Blair Equipment Company.

## **AUTHORIZED WARRANTY REPAIR CENTER**

For Warranty Service, return all products, transportation prepaid to:

**Blair Equipment Company  
3001 Hougen Drive  
Swartz Creek, Michigan 48473**



### **Blair Equipment Company**

3001 Hougen Drive • Swartz Creek, MI 48473

Phone (810) 635-7111

[www.blairequipment.com](http://www.blairequipment.com)

© 2024 Blair Equipment Company